



17.00-20 Single Disc Inboard Brake Assembly No. 9540755 and 9541101 (see Fig. 17.00-20B3)

USED ON Lockheed Constellation 1049, 1049C, 1049D, 1049E, 1049G, 1049H. (9540755)
 Lockheed Constellation 049, 649 and 749A (9541101)

FIGURE 17.00-20B3		DESCRIPTION							GOODYEAR	NUMBER
INDEX	PART NO.	1	2	3	4	5	6	7	CODE	PER
NO.									NUMBER	ASSY
	9540755								39540755	1
	9541101								39541101	1
-1	AN365-820C								395-5233	7
-2	9521941								39521941	7
-3	NAS148-82								395-5569	7
-4	9521926								39521926	7
-5	9530757								39530757	1
	9530963								39530963	1
-6	9531189								39531189	6
	9521523								39521523	6
-7	9531046								39531046	6
	9531671								39531671	6
	*9521581								39521581	1
-8	9531091								39531091	1
-9	9510605								39510605	12
-10	AN427-5C18								395-6133	6
-11	9521519								39521519	6
-12	9510942								39510942	6
-13	9522266								39522266	6
-14	9520814								39520814	6
-15	AN6230B16								395-4816	6
-16	9510943								39510943	6
-17	AN960-616L								395-5127	6
-18	AN6227B7								395-4707	6
-19	AN6227B41								395-4741	6
-20	9522062								PISTON SUBASSEMBLY	6
-21	9511058								39511058	1
-22	9511286								39511286	1
-23	512140								395-4081	1
-24	512132								395-4076	1
-25	511820-10								395-4966	1
-26	9510341								39510341	1
-27	9510744								39510744	1
-28	9520806								39520806	1
-29	9521958								39521958	1
-30	9522022								39522022	1
-31	9521475								39521475	1
-32	MS28778-8								395-5762	1
-33	AN520-10-5								395-050	1
-34	511846-4								395-4486	1
-35	AN6204-1								395-5204	1
-36	9510334								39510334	1
-37	MS28778-8								395-5762	1
-38	AN502-10-6								395-0969	2
-39	511846-4								395-4486	2
-40	9540529								39540529	1
	9541102								39541102	1
OVERSIZE PARTS (Order separately)										
	9522267								39522267	6
	9522587								39522587	6
	9521558								39521558	6
ALTERNATE LININGS (Order separately)										
	9521392								39521392	6
	9531311								39531311	6
	9521523								39521523	6
	9532462								39532462	6

*Not Illustrated

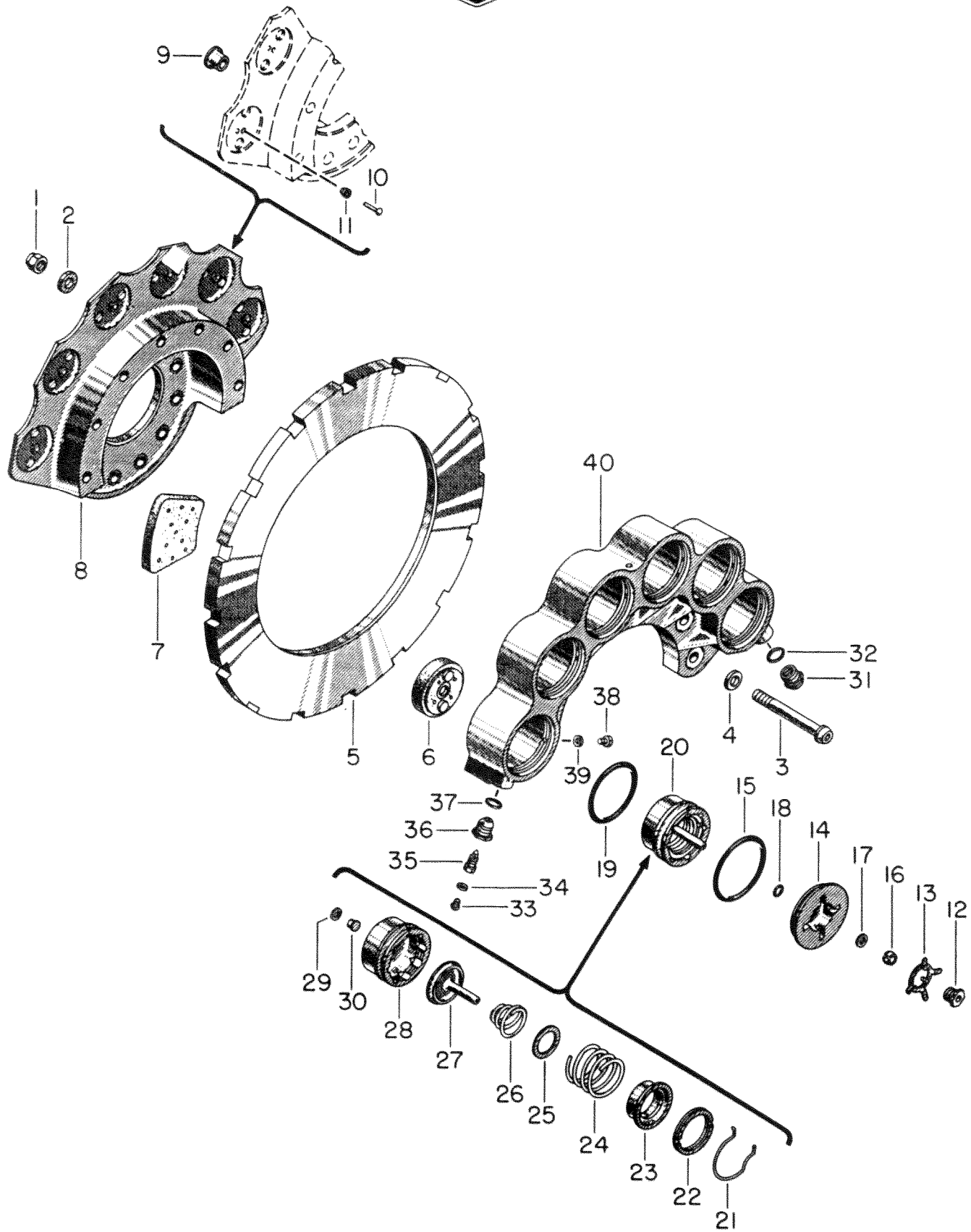


Figure 17.00-20 — Single Disc Inboard Brake.
Assembly No. 9540755 and 9541101